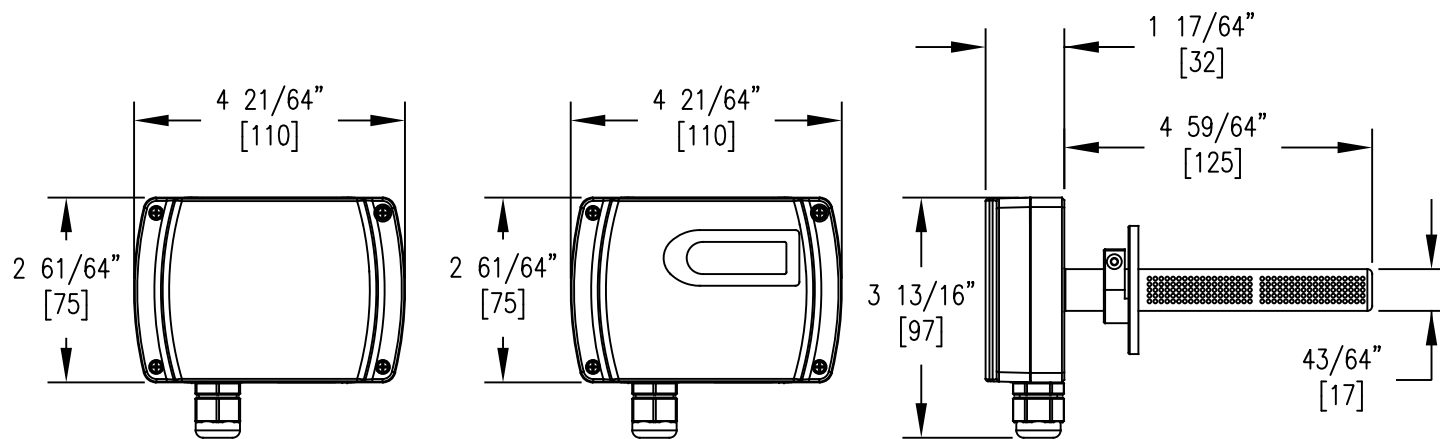


WALL MOUNT



DUCT MOUNT

SCALE 1:3

Ⓢ = CRITICAL DIMENSION
STANDARD TOLERANCES UNLESS NOTED:
ALL DECIMAL DIMENSIONS ± .005
ALL ANGLES ± 1°

			DATE 04-29-21	NAME BULLETIN ARTWORK PMI SERIES DUCT AND WALL MOUNT (FOR REFERENCE ONLY)	MATERIAL
			DWN BY KAS		FINISH
			CHKD CAT		DWYER INSTRUMENTS, INC. MICHIGAN CITY, INDIANA 46360 U.S.A.
0	INITIAL RELEASE ND-007644		APPD KC		
NO.	CHANGES	BY/DATE		ACAD2002	FR. NO. 701478-08

NOTICE: This drawing and the principles and elements of design embodied therein are the exclusive property of DWYER INSTRUMENTS, INC. and are not to be communicated, disclosed, reproduced or used except as previously authorized in writing by such corporation and must not be submitted to outside parties for examination without the written consent of said corporation.